

Vacuum Hose

Hose clamps SK

Description

Hose clamps made of galvanized steel to fasten vacuum hoses to hose nipples or tube ends. The hose clamps can be used a number of times.

Application

- to secure vacuum hoses against accidental pull-off
- on vacuum lifters
- for automation and robotics



SK-6 ... SK-60

Article number

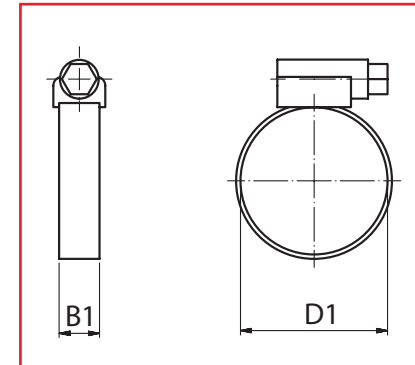
Type	
SK-6	6.21.1.0660
SK-10	6.21.1.0657
SK-1/2	6.21.1.0656
SK-3/4	6.21.1.0658
SK-1	6.21.1.0655
SK-38	6.21.1.0659
SK-22	5.26.4.0004
SK-32	5.26.4.0003
SK-40	5.26.4.0268
SK-46	5.26.4.0020
SK-50	5.26.4.0005
SK-60	5.26.4.0276

Technical data

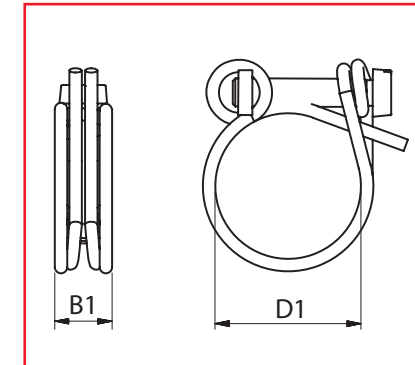
Type	Clamping range (mm)	Weight (kg)
SK-6	8 ... 16	0,011
SK-10	12 ... 22	0,013
SK-1/2	14 ... 30	0,014
SK-3/4	20 ... 35	0,015
SK-1	26 ... 40	0,017
SK-38	38 ... 53	0,018
SK-22	21 ... 23	0,015
SK-32	32 ... 35	0,021
SK-40	38 ... 43	0,024
SK-46	43 ... 48	0,025
SK-50	48 ... 53	0,025
SK-60	58 ... 65	0,026

Vacuum Hose

Hose clamps SK



SK-6 ... SK-38



SK-22 ... SK-60

Dimensions

Type	B1	D1
SK-6	9	8 ... 16
SK-10	9	12 ... 22
SK-1/2	9	14 ... 30
SK-3/4	9	20 ... 35
SK-1	9	26 ... 40
SK-38	13	38 ... 53
SK-22	11	21 ... 23
SK-32	11	32 ... 35
SK-40	13	38 ... 43
SK-46	13	43 ... 48
SK-50	15	48 ... 53
SK-60	15	58 ... 65