

## Connections

### Hose nipple SN

#### Description

Robust hose nipples made of galvanized steel. Available for the hose nipples are both suitable sealing rings made of vulcanite fibre and a sealing band.

#### Application

- connection of vacuum hoses
- sealing rings and sealing band to seal the hose nipples



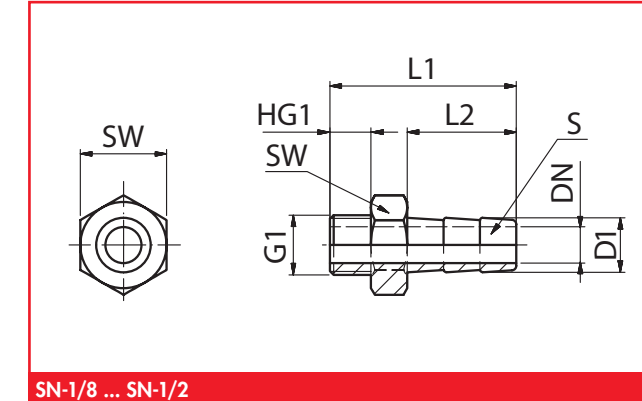
SN-1/8-6 ... SN-11/2-38

# FEZER

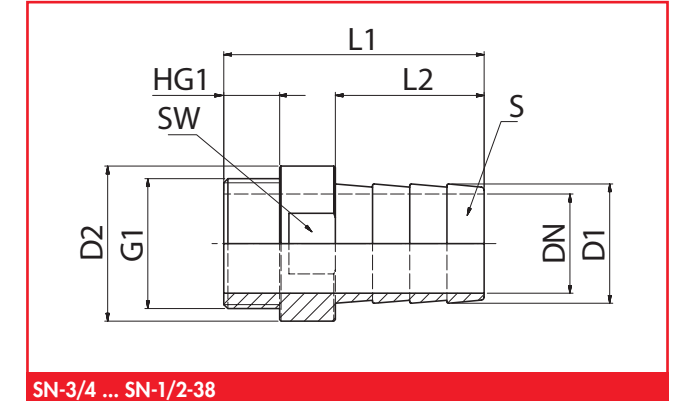
Simply move more.

## Connections

### Hose nipple SN



SN-1/8 ... SN-1/2



SN-3/4 ... SN-1/2-38

# FEZER

Simply move more.

#### Article number

Type	
SN-1/8-6	1.54.1.0011
SN-1/4-6	1.54.1.0008
SN-1/4-10	1.54.1.0007
SN-1/4-1/2	1.54.1.0006
SN-3/8-10	1.54.1.0017
SN-3/8-1/2	1.54.1.0016
SN-1/2-1/2	1.54.1.0005
SN-3/4-1/2	1.54.1.0003
SN-3/4-3/4	1.54.1.0015
SN-1-1	1.54.1.0012
SN-11/4-38	1.54.1.0014
SN-11/2-38	1.54.1.0013

#### Technical data

Type	Pressure range (bar)	Hose type	Temperature (°C)	Weight (kg)
SN-1/8-6	-1 ... +10	VS-6	-10 ... +80	0,012
SN-1/4-6	-1 ... +10	VS-6	-10 ... +80	0,018
SN-1/4-10	-1 ... +10	VS-10	-10 ... +80	0,030
SN-1/4-1/2	-1 ... +10	VS-1/2	-10 ... +80	0,038
SN-3/8-10	-1 ... +10	VS-10	-10 ... +80	0,042
SN-3/8-1/2	-1 ... +10	VS-1/2	-10 ... +80	0,048
SN-1/2-1/2	-1 ... +10	VS-1/2	-10 ... +80	0,070
SN-3/4-1/2	-1 ... +10	VS-1/2	-10 ... +80	0,123
SN-3/4-3/4	-1 ... +10	VS-3/4	-10 ... +80	0,107
SN-1-1	-1 ... +10	VS-1	-10 ... +80	0,212
SN-11/4-38	-1 ... +10	VS-38	-10 ... +80	0,385
SN-11/2-38	-1 ... +10	VS-38	-10 ... +80	0,452

#### Dimensions

Type	D1	D2	S	DN	L1	L2	G1	HG1	SW
SN-1/8-6	9	---	6	6	25	20	G1/8	9	14
SN-1/4-6	9	---	6	6	25	20	G1/4	9	17
SN-1/4-10	12	---	10	8	32	24	G1/4	9	19
SN-1/4-1/2	15	---	1/2"	8	32	24	G1/4	9	19
SN-3/8-10	12	---	10	8	32	24	G3/8	9	22
SN-3/8-1/2	15	---	1/2"	11	32	24	G3/8	9	22
SN-1/2-1/2	15	---	1/2"	11	40	30	G1/2	10	27
SN-3/4-1/2	15	---	1/2"	11	42	30	G3/4	12	32
SN-3/4-3/4	21	---	3/4"	17	52	40	G3/4	12	32
SN-1-1	26,5	42	1"	22	63	48	G1	16	36
SN-11/4-38	38,5	50	38	32	66	48	G11/4	18	46
SN-11/2-38	38,5	55	38	32	66	48	G11/2	18	50