

**Connections**

Quick-change coupling SWK

**Description**

Quick-change coupling with inside thread and one-sided shut-off. I.e. when loosening the plug the holder stays closed and the vacuum is conserved in the system.

**Application:**

- when using several suction pads
- on variable lifters (extensions, etc.)
- any mounting position



SWK-1/4 - SWK-1

**Article number**

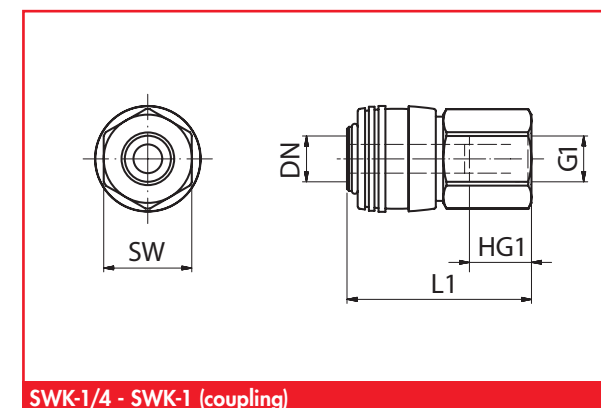
Type	Complete set	Holder (F)	Plug (S)
SWK-1/4I	1.54.2.0080	6.21.5.0497	6.21.5.0496
SWK-3/8I	1.54.2.0081	6.21.5.0850	6.21.5.0848
SWK-1/2I	1.54.2.0082	6.21.5.0851	6.21.5.0849
SWK-3/4I	1.54.2.0052	1.54.2.0048	1.54.2.0044
SWK-1I	1.54.2.0053	1.54.2.0049	1.54.2.0045

**Technical data**

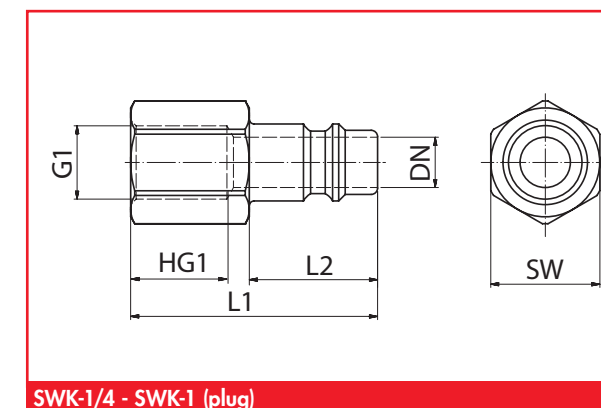
Type	Pressure range (bar)	Temperature (°C)	Weight (kg)
SWK-1/4	-1 ... +1	+5 ... +80	0,120
SWK-1/4-F	-1 ... +1	+5 ... +80	0,090
SWK-1/4-S	-1 ... +1	+5 ... +80	0,030
SWK-3/8	-1 ... +1	+5 ... +80	0,110
SWK-3/8-F	-1 ... +1	+5 ... +80	0,080
SWK-3/8-S	-1 ... +1	+5 ... +80	0,030
SWK-1/2	-1 ... +1	+5 ... +80	0,150
SWK-1/2-F	-1 ... +1	+5 ... +80	0,090
SWK-1/2-S	-1 ... +1	+5 ... +80	0,060
SWK-3/4	-1 ... +1	+5 ... +80	0,20
SWK-3/4-F	-1 ... +1	+5 ... +80	0,12
SWK-3/4-S	-1 ... +1	+5 ... +80	0,08
SWK-1	-1 ... +1	+5 ... +80	0,30
SWK-1-F	-1 ... +1	+5 ... +80	0,20
SWK-1-S	-1 ... +1	+5 ... +80	0,10

**Connections**

Quick-change coupling SWK



SWK-1/4 - SWK-1 (coupling)



SWK-1/4 - SWK-1 (plug)

**Dimensions**

Type	L1	L2	DN	G1	HG1	SW
SWK-1/4-F	46	---	7,2	G1/4	12	22
SWK-1/4-S	38,5	20	7,85	G1/4	12	17
SWK-3/8-F	47,5	---	7,2	G3/8	12	22
SWK-3/8-S	39,5	20	7,85	G3/8	12	19
SWK-1/2-F	50,5	---	7,2	G1/2	12	24
SWK-1/2-S	44	20	7,85	G1/2	12	24
SWK-3/4-F	94	---	19	G3/4	17	46
SWK-3/4-S	57,5	32,5	19	G3/4	19	36
SWK-1-F	98	---	21	G1	20	46
SWK-1-S	61,5	32,5	21	G1	23	41