

## Connections

### Plug and thread connections

**FEZER**  
Simply move more.

#### Plug-in connections

Absolutely vacuum-dense plug-in connections made of plastic with outer thread and plug connection to connect tubes. The plug-in connections and connectors have an inner locking ring and can be used without additional hose clamps.

#### Application

- to screw in and connect vacuum and compressed air lines.



Plug-in connections and -Verbindungen SVS- ... SVB-

#### Thread connections

Robust connections with conical inch-thread made of die-cast. The connections can be wrapped with silicone band for an absolutely vacuum-dense connection. The thread connections serve mainly to reduce, connect or extend thread drillings on connection drillings.

#### Application:

- connecting and distributing vacuum lines of all kinds



Thread connections GVS

#### Technical data

Type	Pressure range (bar)	Hose type	Temperature (°C)
SVS- ...	-1 ... +10	VS-4 ... 16	-10 ... +60
SVB- ...	-1 ... +10	VS-4 ... 16	-10 ... +60
GVS- ...	-1 ... +6	G1/8 ... G3/4	-10 ... +80

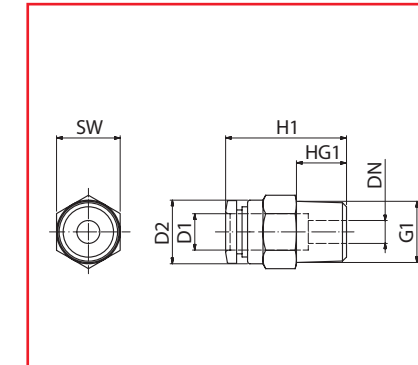
## Connections

### Plug-in connections straight SVS-G

**FEZER**  
Simply move more.



SVS-G



SVS-G

#### Article number

Type		Hose-Ø (mm)	Weight (kg)
SVS-G-M5-4	6.21.5.0801	4	0,003
SVS-G-M5-6	6.21.5.0802	6	0,004
SVS-G-1/8-4	6.21.5.0594	4	0,008
SVS-G-1/8-6	6.21.5.0493	6	0,009
SVS-G-1/8-8	6.21.5.0701	8	0,016
SVS-G-1/4-6	6.21.5.0494	6	0,018
SVS-G-1/4-8	6.21.5.0702	8	0,016
SVS-G-1/4-10	6.21.5.0703	10	0,020
SVS-G-1/4-12	6.21.5.0704	12	0,044
SVS-G-3/8-6	6.21.5.0705	6	0,028
SVS-G-3/8-8	6.21.5.0480	8	0,024
SVS-G-3/8-10	6.21.5.0590	10	0,027
SVS-G-3/8-12	6.21.5.0706	12	0,035
SVS-G-1/2-10	6.21.5.0707	10	0,050
SVS-G-1/2-12	6.21.5.0481	12	0,050
SVS-G-1/2-16	6.21.5.0708	16	0,067

#### Dimensions

Type	D1	D2	DN	H1	HG1	G1	SW
SVS-G-M5-4	4	8	1,8	16,2	3	M5	8
SVS-G-M5-6	6	10	1,7	17,3	3	M5	10
SVS-G-1/8-4	4	10	2,6	21	8	G1/8	10
SVS-G-1/8-6	6	12	5,6	22,6	8	G1/8	12
SVS-G-1/8-8	8	14	5	27,9	8	G1/8	14
SVS-G-1/4-6	6	12	6	24,6	11	G1/4	14
SVS-G-1/4-8	8	14	5	26,6	11	G1/4	14
SVS-G-1/4-10	10	17	6,7	30	11	G1/4	17
SVS-G-1/4-12	12	21	8,7	36	11	G1/4	21
SVS-G-3/8-6	6	71	4	23,6	12	G3/8	17
SVS-G-3/8-8	8	14	8	23,9	12	G3/8	17
SVS-G-3/8-10	10	17	6,7	29,3	12	G3/8	17
SVS-G-3/8-12	12	21	8,7	32	12	G3/8	21
SVS-G1/2-10	10	21	6,7	30,3	15	G1/2	21
SVS-G-1/2-12	12	20	12	33,9	15	G1/2	21
SVS-G-1/2-16	16	24	12	41,5	15	G1/2	24