

Vacuum hose

VS for plug connections

FEZER
Simply move more.

Description

Robust hose connections suitable both for vacuum and compressed air. Large range of diameters and materials. All hoses are calibrated on the outside and available in colours nature (vacuum supply) and blue (compressed air).

Application

- vacuum systems
- vacuum suction spiders
- robots and automation



VS-4 ... VS-16

Article number

Type	Material sold by the metre colour nature	Coil 50m colour nature	Material sold by the metre colour blue	Coil 50m colour blue
VS-4-PE	1.54.1.0096	1.54.1.0120	1.54.1.0145	1.54.1.0146
VS-4-PU	1.54.1.0112	1.54.1.0121	1.54.1.0037	1.54.1.0136
VS-6-PE	1.54.1.0097	1.54.1.0039	1.54.1.0147	1.54.1.0148
VS-6-PU	1.54.1.0113	1.54.1.0122	1.54.1.0039	1.54.1.0135
VS-8-PE	1.54.1.0059	1.54.1.0123	1.54.1.0149	1.54.1.0150
VS-8-PU	1.54.1.0114	1.54.1.0124	1.54.1.0057	1.54.1.0134
VS-10-PE	1.54.1.0067	1.54.1.0115	1.54.1.0080	1.54.1.0140
VS-10-PU	1.54.1.0109	1.54.1.0116	1.54.1.0131	1.54.1.0139
VS-12-PE	1.54.1.0060	1.54.1.0125	1.54.1.0141	1.54.1.0142
VS-12-PU	1.54.1.0110	1.54.1.0117	1.54.1.0132	1.54.1.0138
VS-16-PE	1.54.1.0061	1.54.1.0118	1.54.1.0143	1.54.1.0144
VS-16-PU	1.54.1.0111	1.54.1.0119	1.54.1.0133	1.54.1.0137

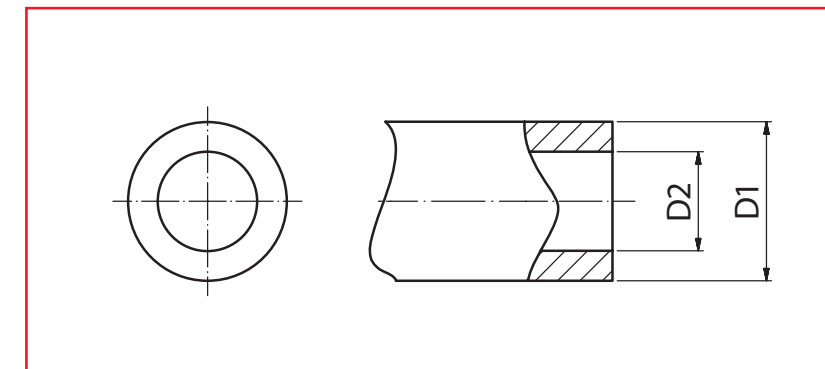
Technical data

Type	Pressure range (bar)	Bend radius (mm)	Volume (l/m)	Temperature (°C)	Weight (kg/m)
VS-4-PE	-1 ... 10	15	0,001	-20 ... +60	0,006
VS-4-PU	-1 ... 10	12	0,001	-30 ... +80	0,008
VS-6-PE	-1 ... 10	20	0,001	-20 ... +60	0,015
VS-6-PU	-1 ... 10	15	0,001	-30 ... +80	0,018
VS-8-PE	-1 ... 10	30	0,003	-20 ... +60	0,025
VS-8-PU	-1 ... 10	25	0,003	-30 ... +80	0,029
VS-10-PE	-1 ... 10	40	0,004	-20 ... +60	0,038
VS-10-PU	-1 ... 10	30	0,004	-30 ... +80	0,047
VS-12-PE	-1 ... 10	50	0,006	-20 ... +60	0,054
VS-12-PU	-1 ... 10	40	0,006	-30 ... +80	0,073
VS-16-PE	-1 ... 10	80	0,011	-20 ... +60	0,103
VS-16-PU	-1 ... 10	60	0,011	-30 ... +80	0,123

Vacuum hose

VS for plug connections

FEZER
Simply move more.



VS-4 ... VS-16

Dimensions

Type	D1	D2
VS-4-PE	4	2,7
VS-4-PU	4	2,6
VS-6-PE	6	4,0
VS-6-PU	6	4,0
VS-8-PE	8	5,7
VS-8-PU	8	5,7
VS-10-PE	10	7,0
VS-10-PU	10	7,0
VS-12-PE	12	8,4
VS-12-PU	12	8,0
VS-16-PE	16	10,8
VS-16-PU	16	11,0

Material characteristics

Criteria	PE	PU
Material	Polyethylene	Polyurethane
Oil resistance	++	+++
Lebensmittelzulassung	-	+++
Weather resistance	+	+++
Wear resistance	++	+++
Cable drag suitability	+	+++
Tensile strength	20 N/mm ²	50 N/mm ²

not suitable -
limited suitability +
well suitable ++
very well suitable +++