

Distribution Elements

Distribution block VTB

FEZER
Simply move more.

Description

Robust distribution housing made of aluminum for distributing vacuum/compressed air. The distribution blocks have 2 central connections and are available with 4, 8 or 12 exits.

Application:

- distribution of vacuum lines for several suction pads
- many connection possibilities of hose nipples and plug-in connections, cut-off cocks, etc.
- any mounting position



VTB-1/2 ... VBT-3/4

Article number

Type	
VTB-1/2-4x1/4	2.54.2.0015
VTB-1/2-8x1/4	2.54.2.0016
VTB-1/2-12x1/4	2.54.2.0017
VTB-3/4-4x1/4	2.54.2.0018
VTB-3/4-8x1/4	2.54.2.0019
VTB-3/4-12x1/4	2.54.2.0020

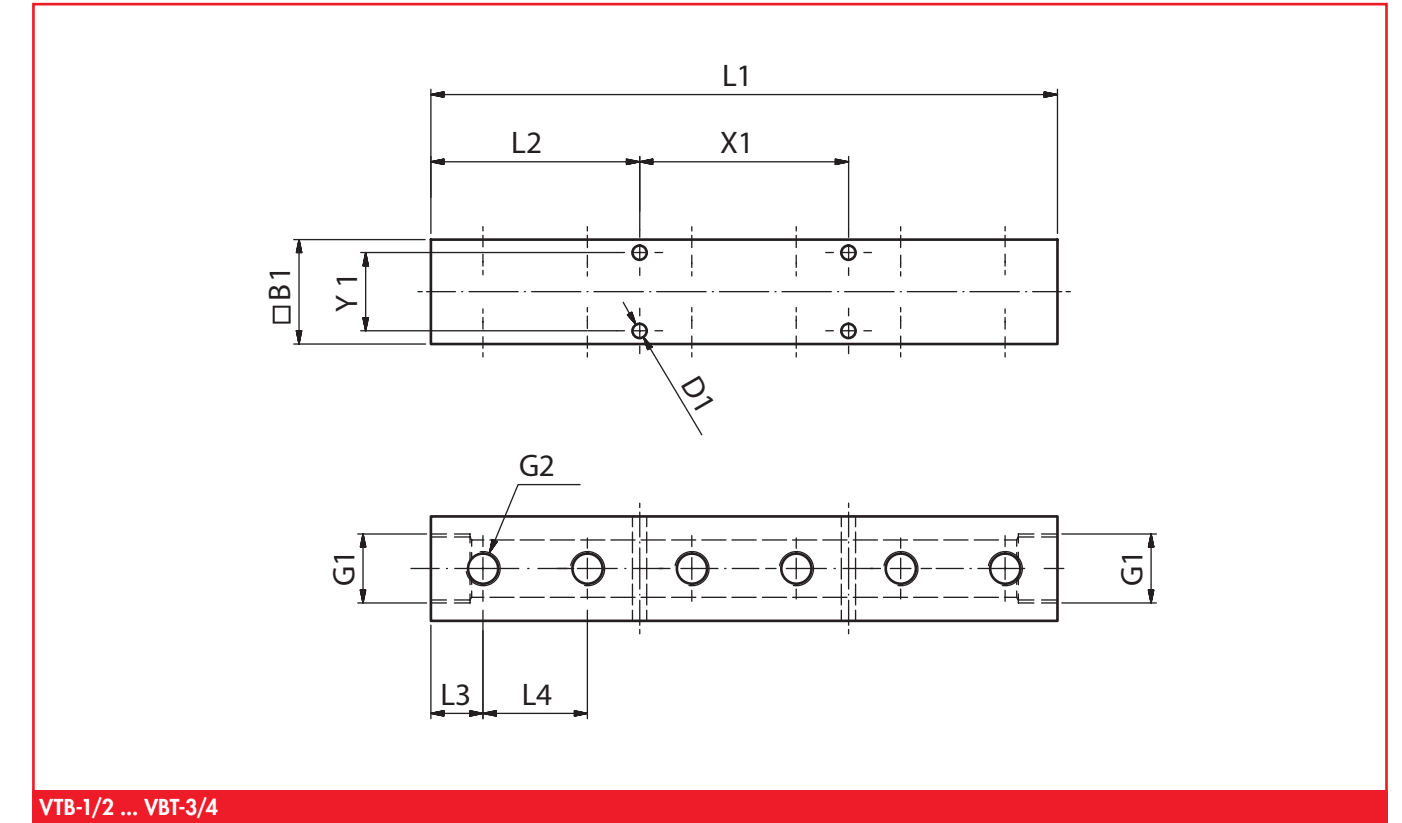
Technical data

Type	Pressure range (bar)	Feed line	Exits	Weight (kg)
VTB-1/2-4x1/4	-1 ... +10	2 x G1/2	4 x G1/8	0,800
VTB-1/2-8x1/4	-1 ... +10	2 x G1/2	8 x G1/8	1,600
VTB-1/2-12x1/4	-1 ... +10	2 x G1/2	12 x G1/8	2,400
VTB-3/4-4x1/4	-1 ... +10	2 x G3/4	4 x G1/4	0,700
VTB-3/4-8x1/4	-1 ... +10	2 x G3/4	8 x G1/4	1,400
VTB-3/4-12x1/4	-1 ... +10	2 x G3/4	12 x G1/4	2,100

Distribution Elements

Distribution block VTB

FEZER
Simply move more.



VTB-1/2 ... VBT-3/4

Dimensions

Type	L1	L2	L3	L4	B1	D1	G1	G2	X1	Y1
VTB-1/2-4x1/8	80	40	20	40	40	5,5	G1/2	G1/4	---	30
VTB-1/2-8x1/8	160	80	20	40	40	5,5	G1/2	G1/4	---	30
VTB-1/2-12x1/8	240	80	20	40	40	5,5	G1/2	G1/4	80	30
VTB-3/4-4x1/4	80	40	20	40	40	5,5	G3/4	G1/4	---	30
VTB-3/4-8x1/4	160	80	20	40	40	5,5	G3/4	G1/4	---	30
VTB-3/4-12x1/4	240	80	20	40	40	5,5	G3/4	G1/4	80	30

Distribution Elements

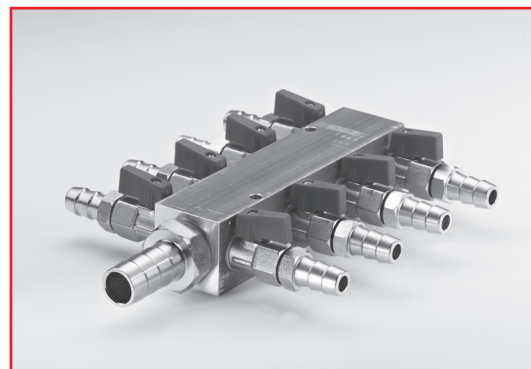
Distribution block with cut-off cock VTB

Description

Robust distribution housing made of aluminum for the distribution of vacuum/compressed air. The distribution blocks have 2 central connections and are available with 4, 8 or 12 exits. Each exit is equipped with a cut-off cock and a hose nipple.

Application:

- distribution of vacuum lines for several suction pads
- ready-for-connection design
- any mounting position



VTB-1/2 ... VBT-3/4

Article number

Type	
VTB-1/2-4x6	1.54.2.0073
VTB-1/2-8x6	1.54.2.0074
VTB-1/2-12x6	1.54.2.0075
VTB-3/4-4x10	1.54.2.0076
VTB-3/4-8x10	1.54.2.0077
VTB-3/4-12x10	1.54.2.0078

Technical data

Type	Pressure range (bar)	Feed line	Exits for vacuum hose	Weight (kg)
VTB-1/2-4x6	-1 ... +10	1 x VS-1/2	4 x VS-6	1,000
VTB-1/2-8x6	-1 ... +10	1 x VS-1/2	8 x VS-6	1,800
VTB-1/2-12x6	-1 ... +10	1 x VS-1/2	12 x VS-6	2,600
VTB-3/4-4x10	-1 ... +10	1 x VS-3/4	4 x VS-10	1,100
VTB-3/4-8x10	-1 ... +10	1 x VS-3/4	8 x VS-10	2,000
VTB-3/4-12x10	-1 ... +10	1 x VS-3/4	12 x VS-10	3,000

FEZER

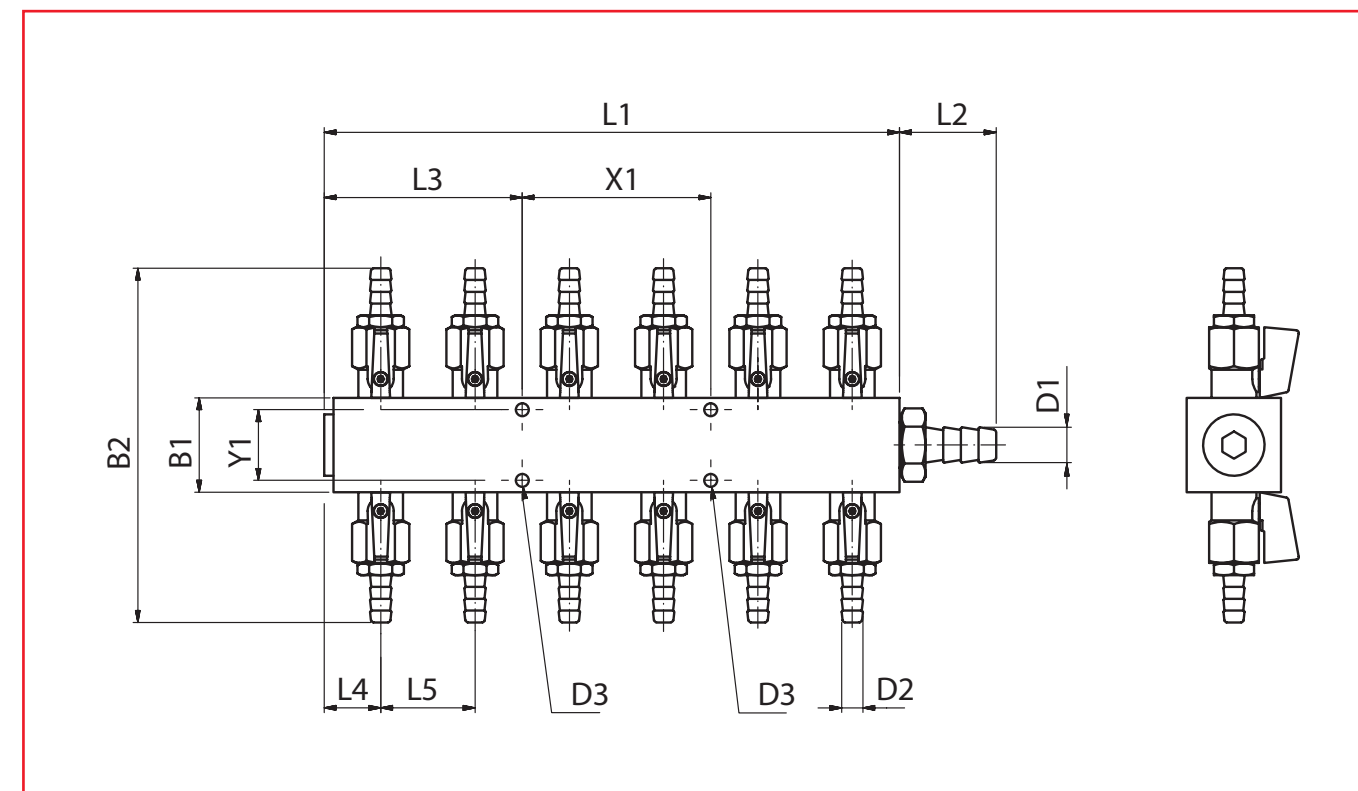
Simply move more.

Distribution Elements

Distribution block with cut-off cock VTB

FEZER

Simply move more.



VTB-1/2 ... VBT-3/4

Dimensions

Type	L1	L2	L3	L4	L5	B1	B2	D1	D2	D3	X1	Y1
VTB-1/2-4x6	84	41	44	24	40	40	150,2	15	9	5,5	---	30
VTB-1/2-8x6	164	41	84	24	40	40	150,2	15	9	5,5	---	30
VTB-1/2-12x6	244	41	84	24	40	40	150,2	15	9	5,5	80	30
VTB-3/4-4x10	84	53	44	24	40	40	164,2	21	12	5,5	---	30
VTB-3/4-8x10	164	53	84	24	40	40	164,2	21	12	5,5	---	30
VTB-3/4-12x10	244	53	84	24	40	40	164,2	21	12	5,5	80	30