

Description

Robust and powerful multi-stage inline ejector in modular design. Depending on the requirements this ejector can be equipped with up to 6 three-stage suction nozzles. The modular design allows to reconfigure the ejector at any time and adjust it to changed requirements. The ejector consists of a weight-optimized plastic housing and is supplied with silencer.

- Evacuation of large volumes
- Handling of porous materials
- any mounting position



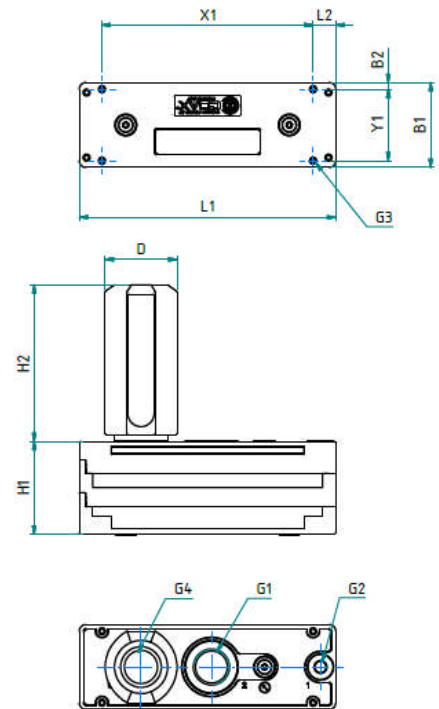
Suction power



Exhaust air



Don't stop the exhaust air



Dimensions

Typ	L1	L2	B1	B2	H1	H2	X1	Y1	G1	G2	G3	G4
FEM-6	193	17	64	5	46	118	159	49	G1/8	G3/4	4	G1
FEM-12	193	17	64	5	46	118	159	49	G1/8	G3/4	4	G1
FEM-18	193	17	64	5	70	118	159	49	G1/8	G3/4	4	G1
FEM-24	193	17	64	5	70	118	159	49	G1/8	G3/4	4	G1

Technical Data

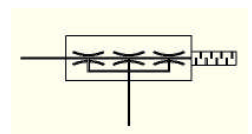
Type	Vacuum* (mbar)	Suction volume*		Air consumption*		Operating pressure** (bar)		Noise level*	Temperature (mbar)	Weight (m³/h)
		(m³/h)	(l/s)	(m³/h)	(l/s)	max.	opt.			
FEM-6	-750	21,6	6	0,49	1,75	7	6	60...77	-10...60	0,67
FEM-12	-750	43,2	12	0,97	3,50	7	6	60...77	-10...60	0,72
FEM-18	-750	64,8	18	1,46	5,25	7	6	60...77	-10...60	0,89
FEM-24	-750	86,4	24	1,94	7,00	7	6	60...77	-10...60	0,94

* at optimal operating pressure,

** dry, filtered, not oiled, compressed air

Time for evacuation and ventilation (s) for a volume of 1l

Type	Vacuum level (mbar)								Time for ventilation at max. vacuum level
	-100	-200	-300	-400	-500	-600	-700	-800	
FEM-6	0,02	0,05	0,10	0,20	0,30	0,50	0,80	---	0,48
FEM-12	0,01	0,03	0,05	0,09	0,20	0,30	0,40	---	20,25
FEM-18	0,01	0,02	0,03	0,06	0,10	0,20	0,30	---	0,18
FEM-24	0,01	0,01	0,02	0,04	0,08	0,10	0,20	---	0,10



Data sheet

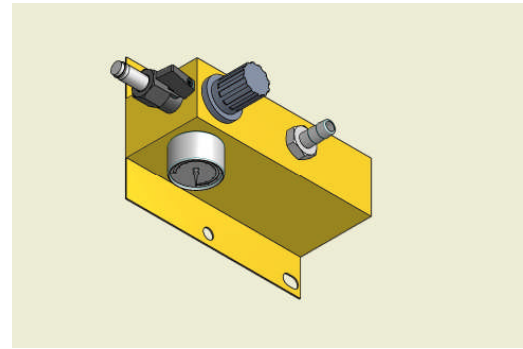
Vacuum ejector VIP 8 SP

Description

Basic unit consisting of ejector, pressure reducer to adjust the operational pressure, manometer and cut-off cock. The unit is built into a metal housing and sonically optimized.

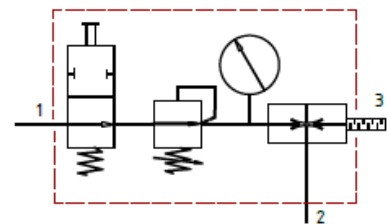
Application

- Supply of single suction pads
- any mounting position



Type	Article number
VIP-8-SP	1.44.1.0036

Switching diagram



- 1 Pressure connection
2 Vacuum connection
3 Exhaust



Suction power



Exhaust air



Don't stop the exhaust air!

Technical Data

Type	Vacuum* (mbar)	Suction volume*		Air consumption*		Operating pressure** (bar)		Noise level* db (A)	Temperature (°C)	Weight (kgs)
		(m³/h)	(l/s)	(m³/h)	(l/s)	max.	opt.			
VIP-8-SP	-850	4,8	1,35	7,6	2,1	1...7	4	63	0...+60	1,1

* at optimal operating pressure,

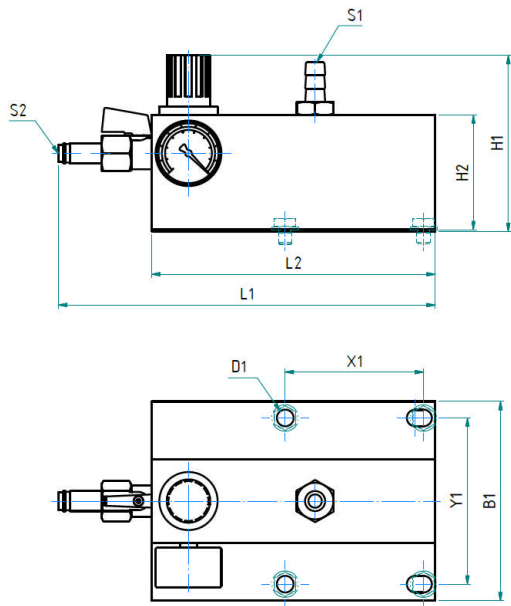
** dry, filtered, not oiled, compressed air

Time for evacuation and ventilation (s) for a volume of 1l

Type	Vacuum level (mbar)								Time for ventilation at max. vacuum level
	-100	-200	-300	-400	-500	-600	-700	-800	
VIP-8-SP	0,4	0,6	0,8	1,2	1,6	2,2	3,5	9,2	1,3

Data sheet

Vacuum ejector VIP 8 SP

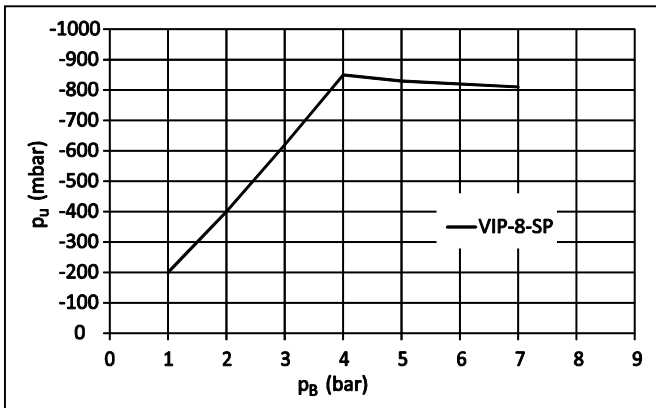


S1 Vacuum connection
S2 Pressure connection

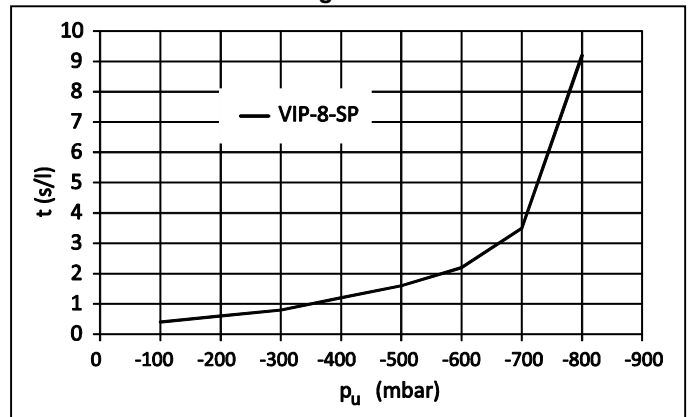
Dimensions

Type	L1	L2	B1	H1	H2	D1	S1	S2	X1	Y1
VIP-8-SP	226	170	120	106	70	10	10	10	83	100

Vacuum level at different operational pressures



Evacuation time on different grades of evacuation



Suction volume at different operational pressures:

